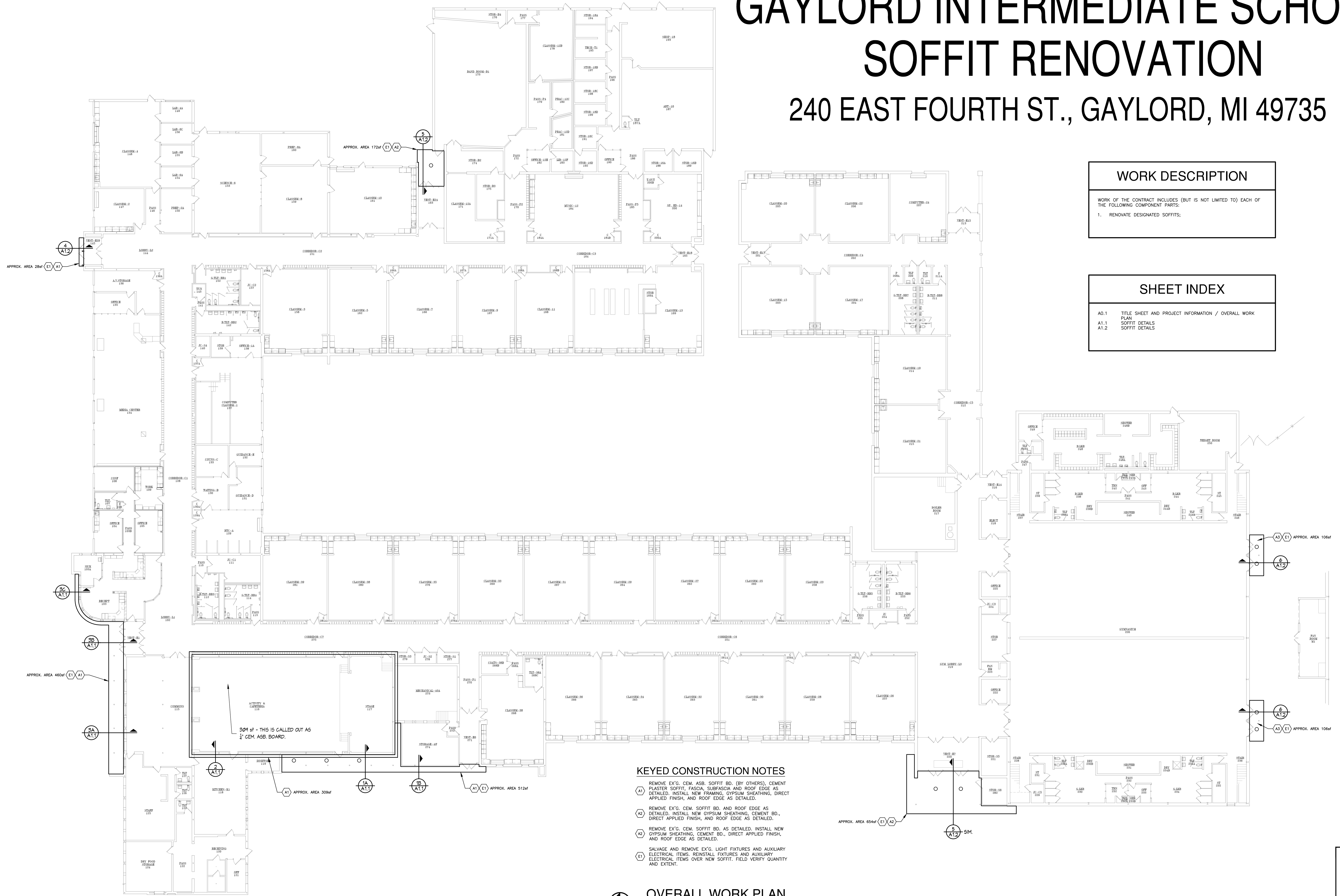


GAYLORD COMMUNITY SCHOOLS PROJECT SF3.8 BID PACKAGE NO. 1

GAYLORD INTERMEDIATE SCHOOL SOFFIT RENOVATION 240 EAST FOURTH ST., GAYLORD, MI 49735



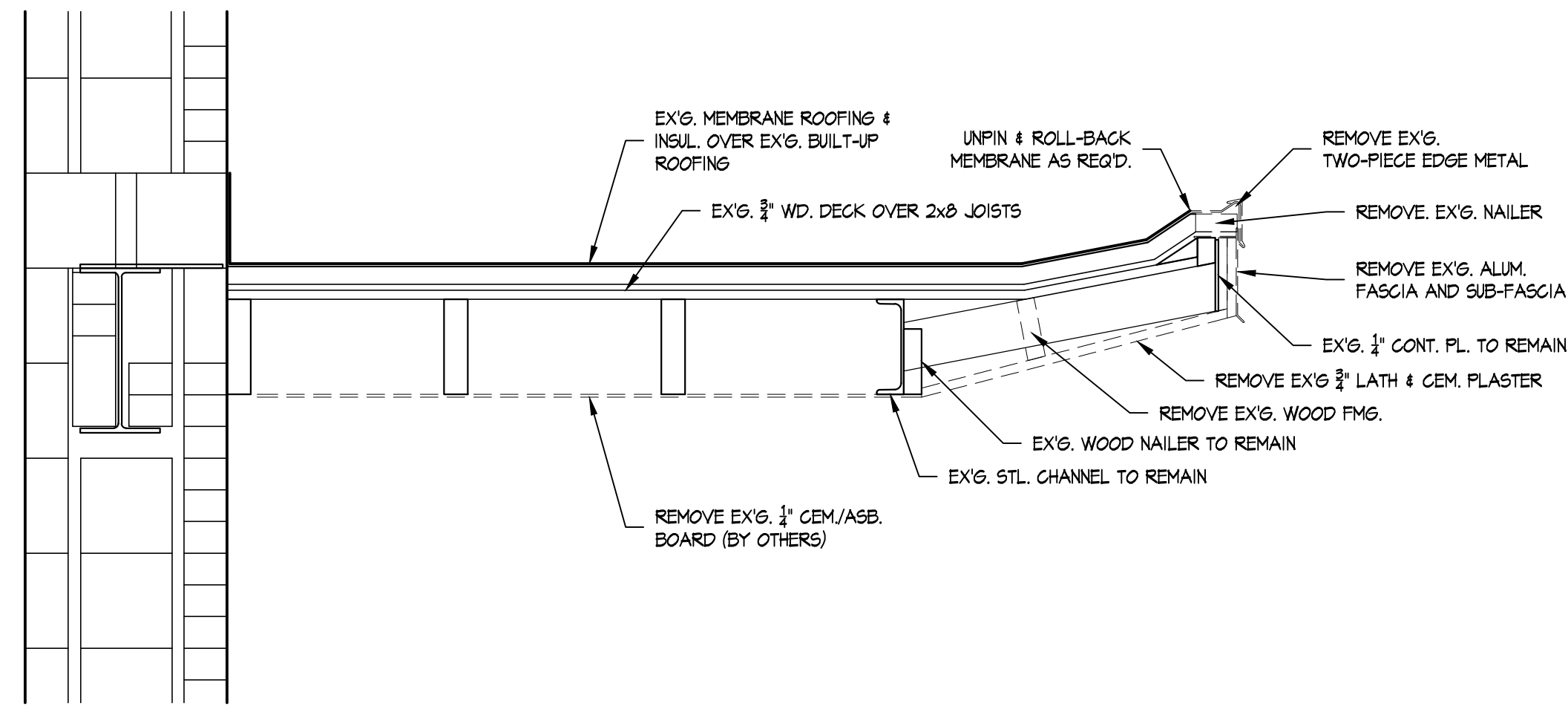
WORK DESCRIPTION

WORK OF THE CONTRACT INCLUDES (BUT IS NOT LIMITED TO) EACH OF THE FOLLOWING COMPONENT PARTS:

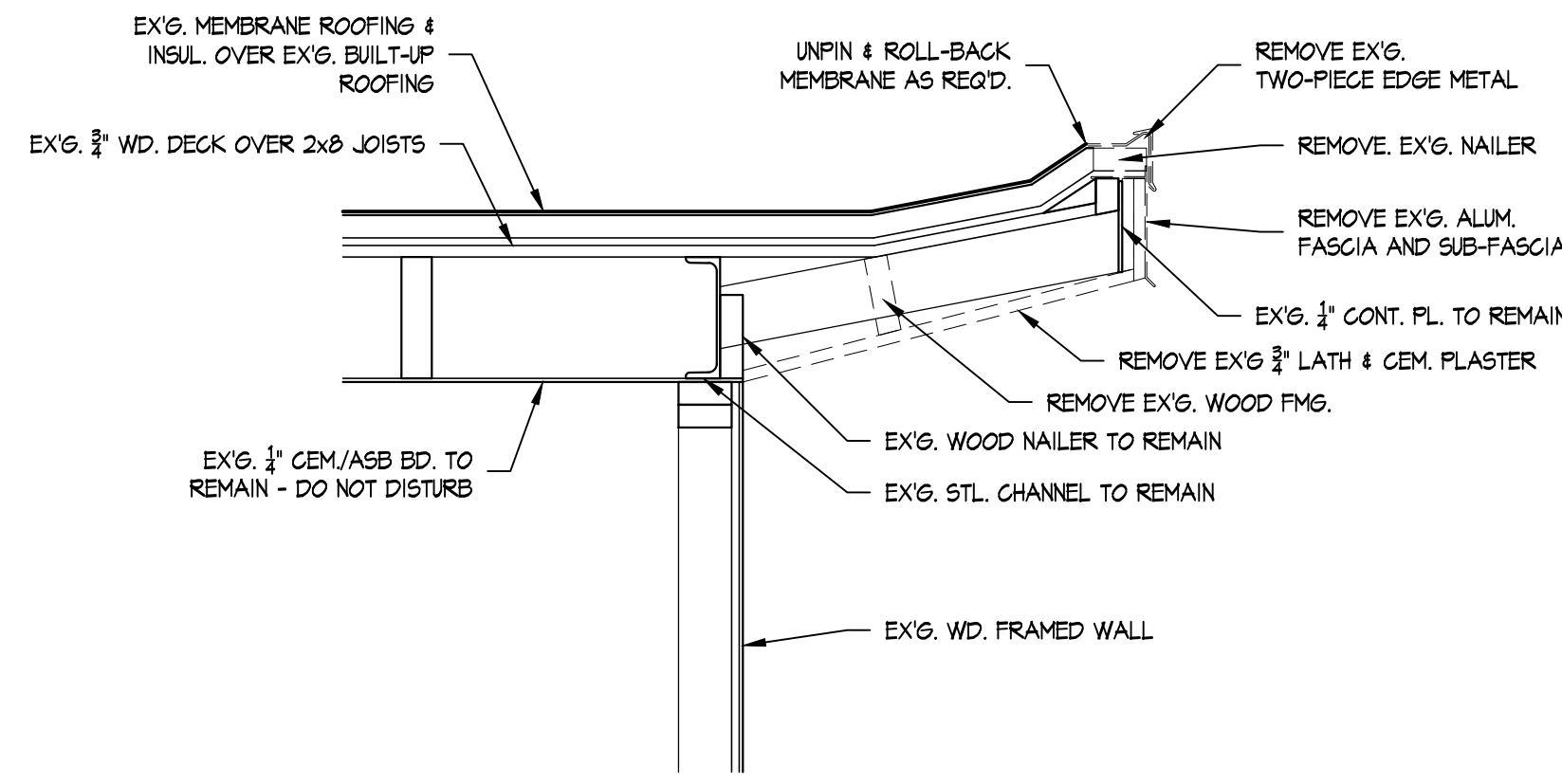
1. RENOVATE DESIGNATED SOFFITS;

SHEET INDEX

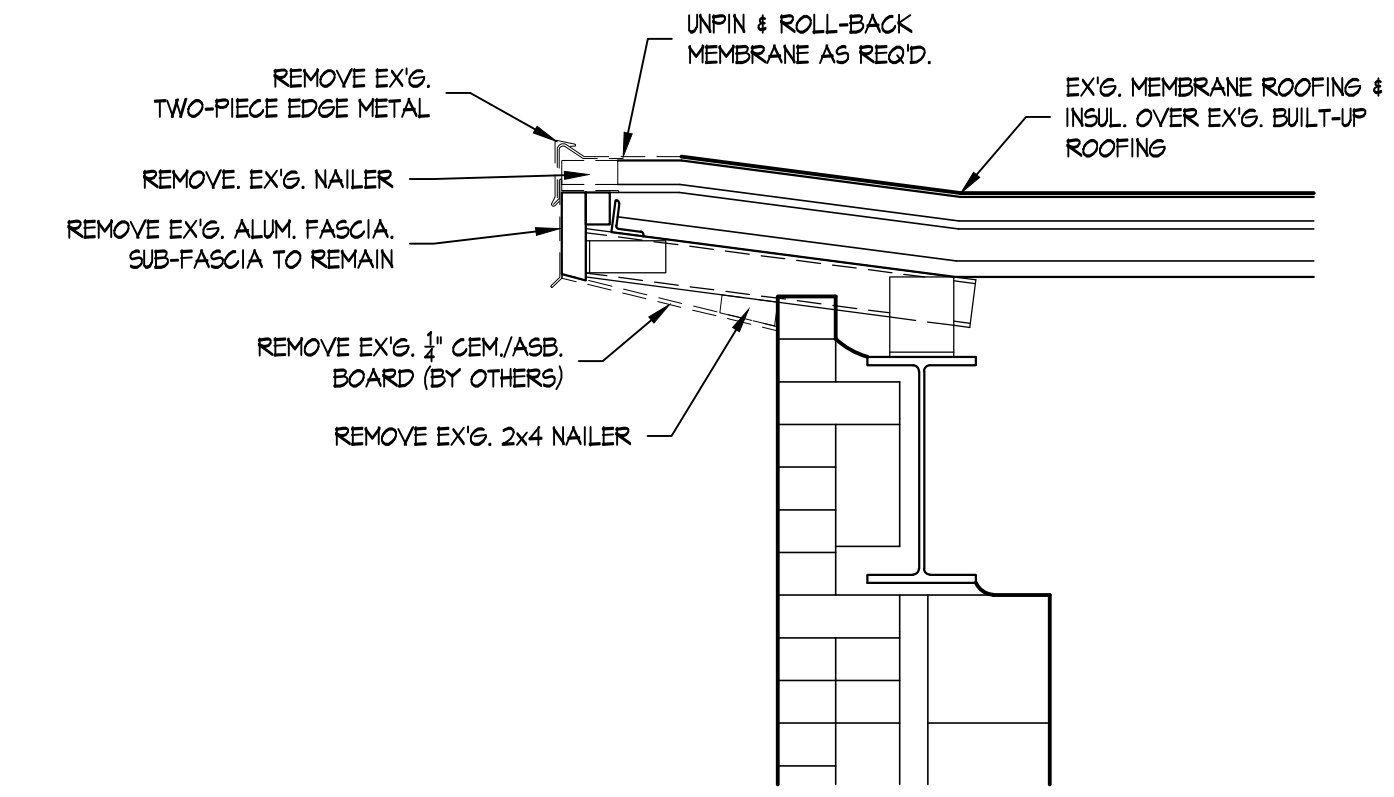
A0.1	TITLE SHEET AND PROJECT INFORMATION / OVERALL WORK PLAN
A1.1	SOFFIT DETAILS
A1.2	SOFFIT DETAILS



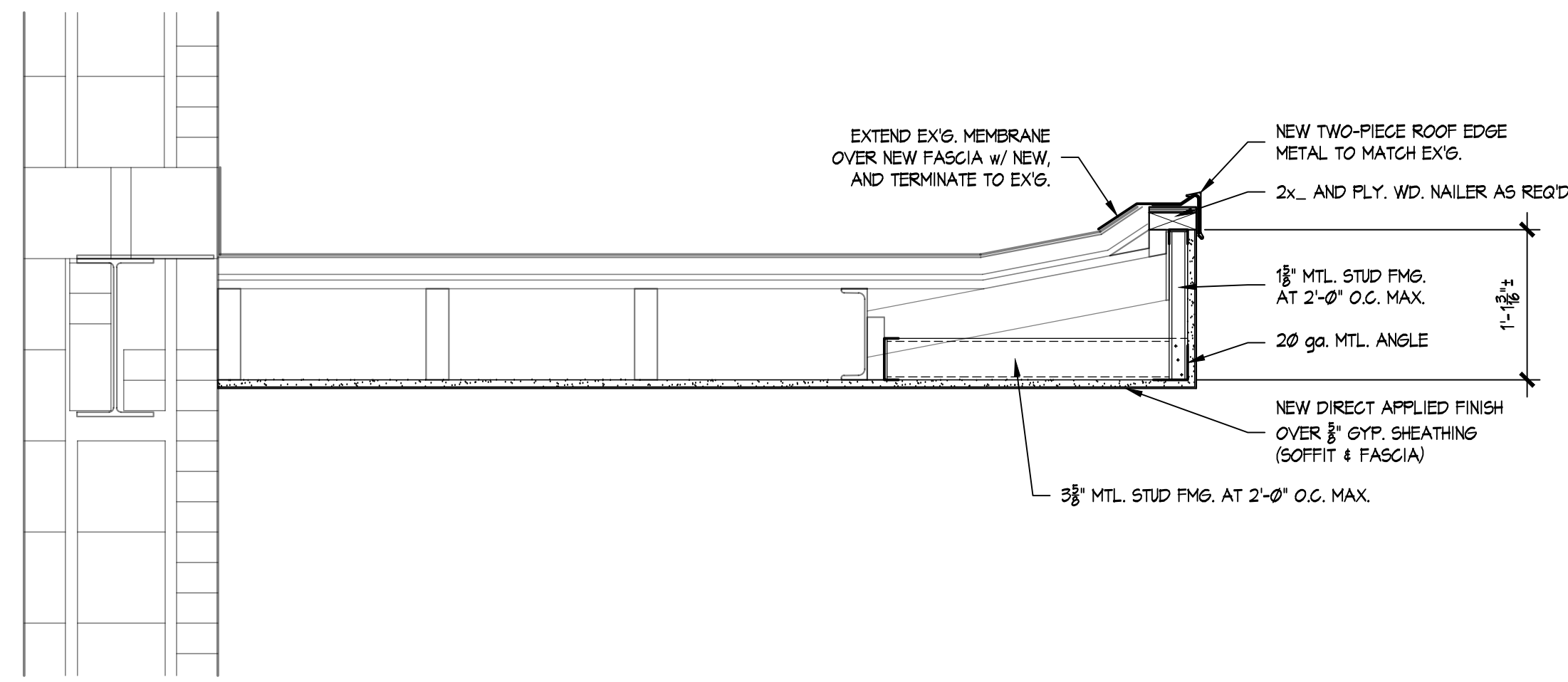
REMOVAL



REMOVAL



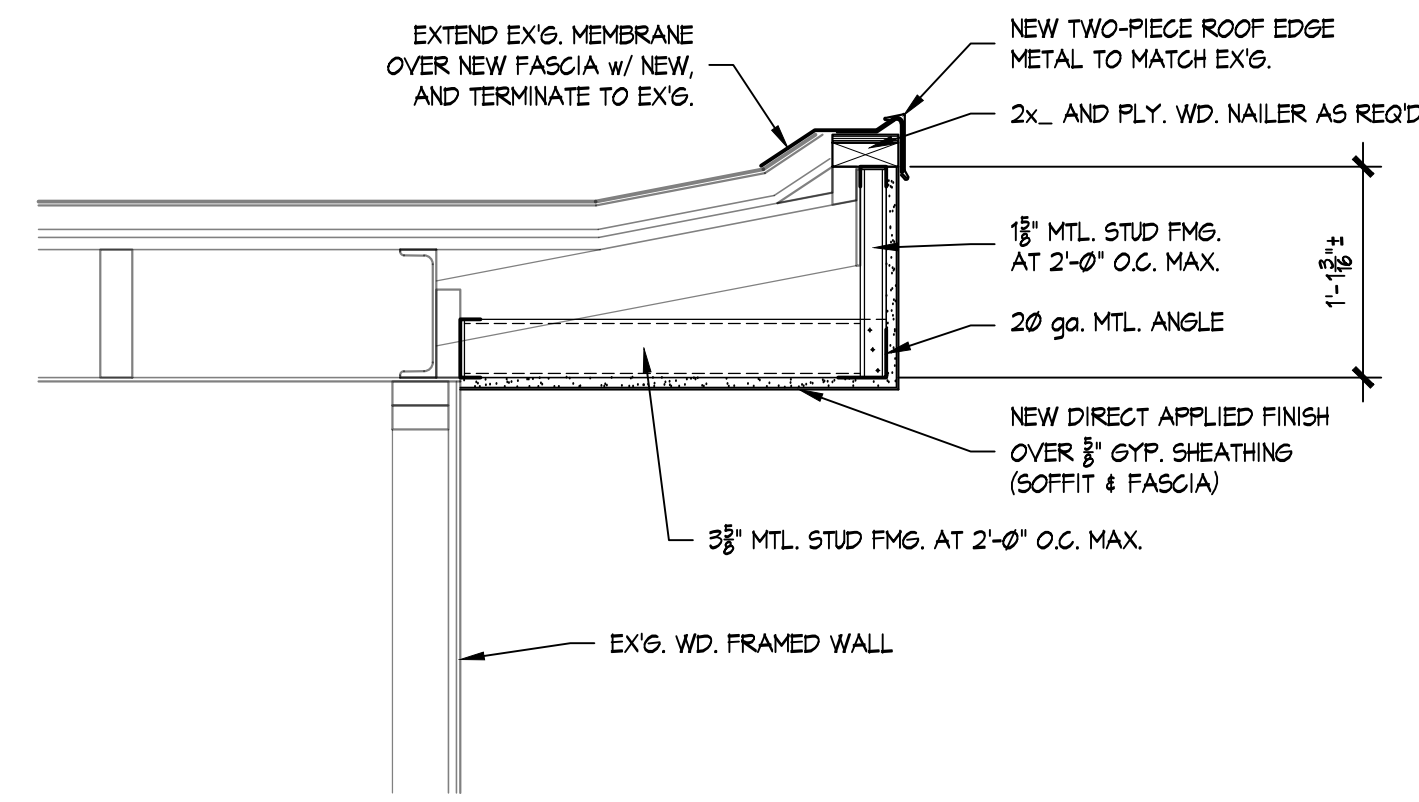
REMOVAL



NEW WORK

SOFFIT/FASCIA DETAIL

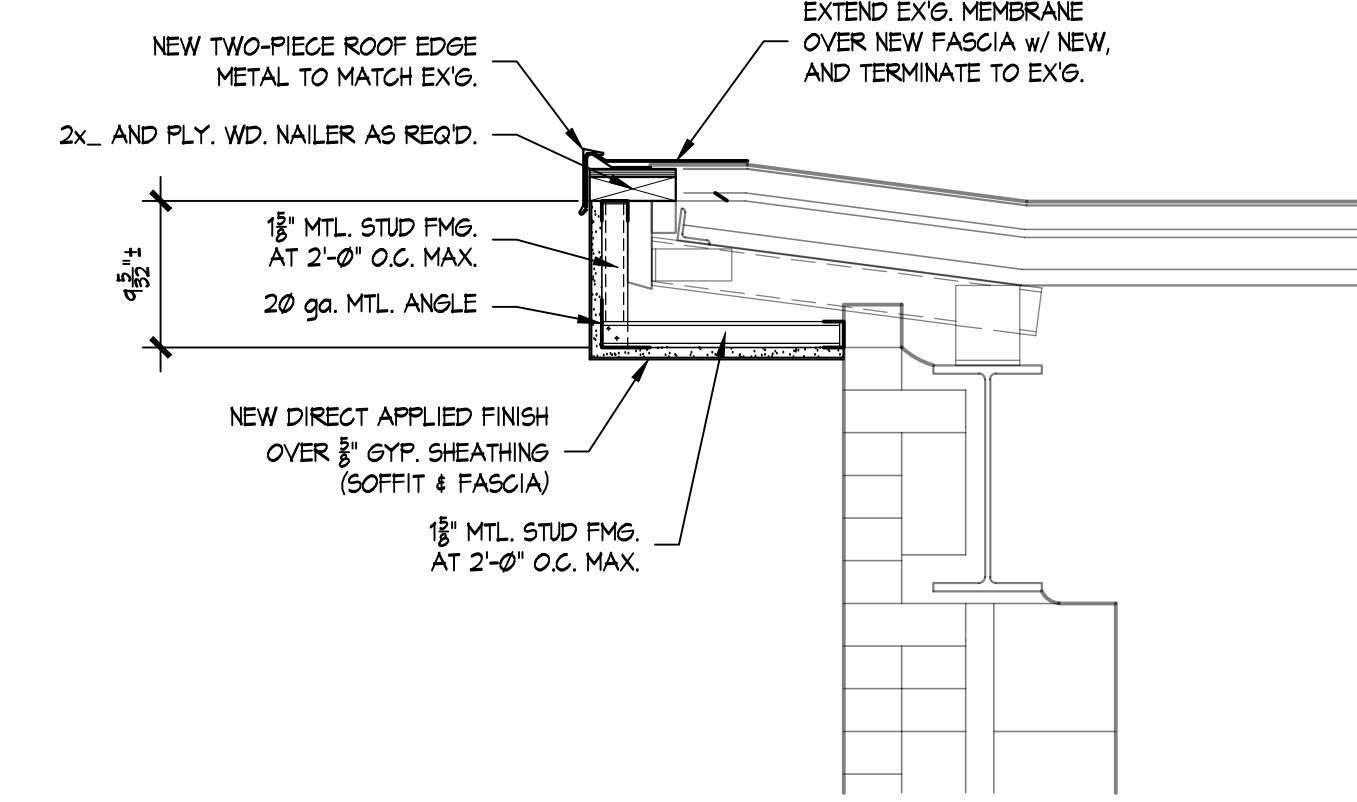
SCALE: 1" = 1'-0"



NEW WORK

SOFFIT/FASCIA DETAIL

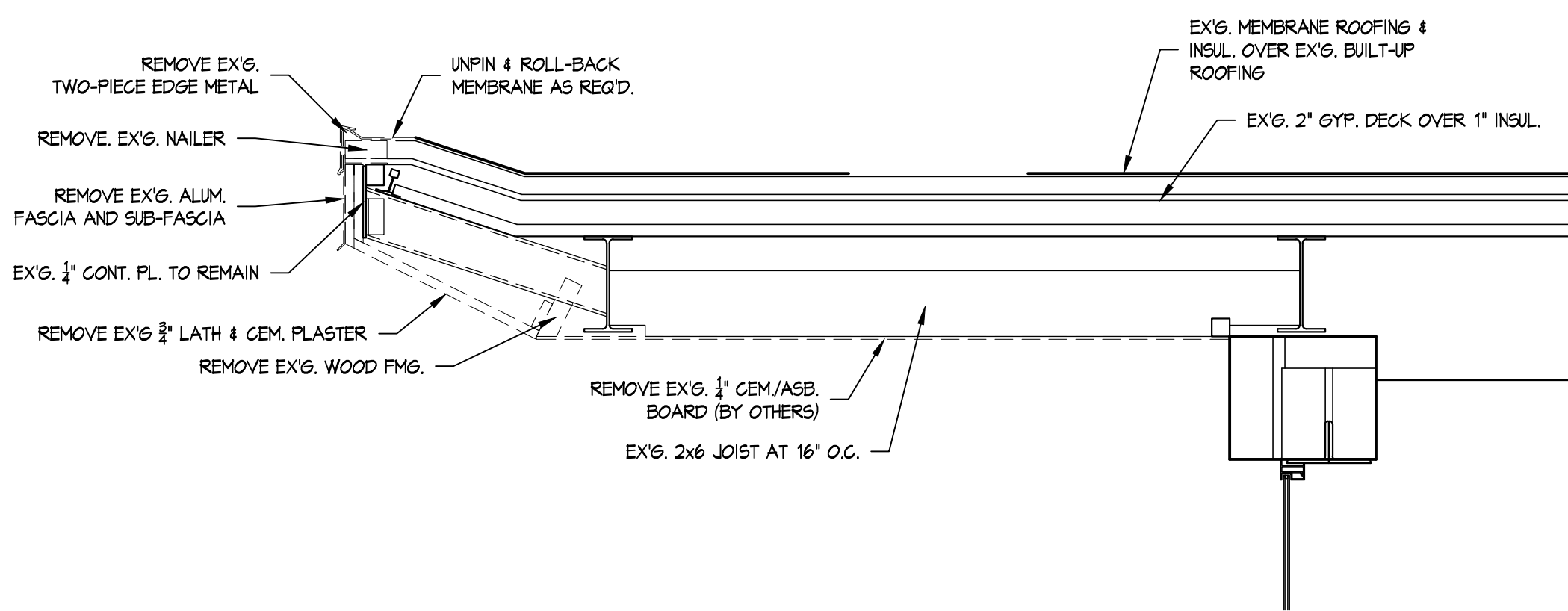
SCALE: 1" = 1'-0"



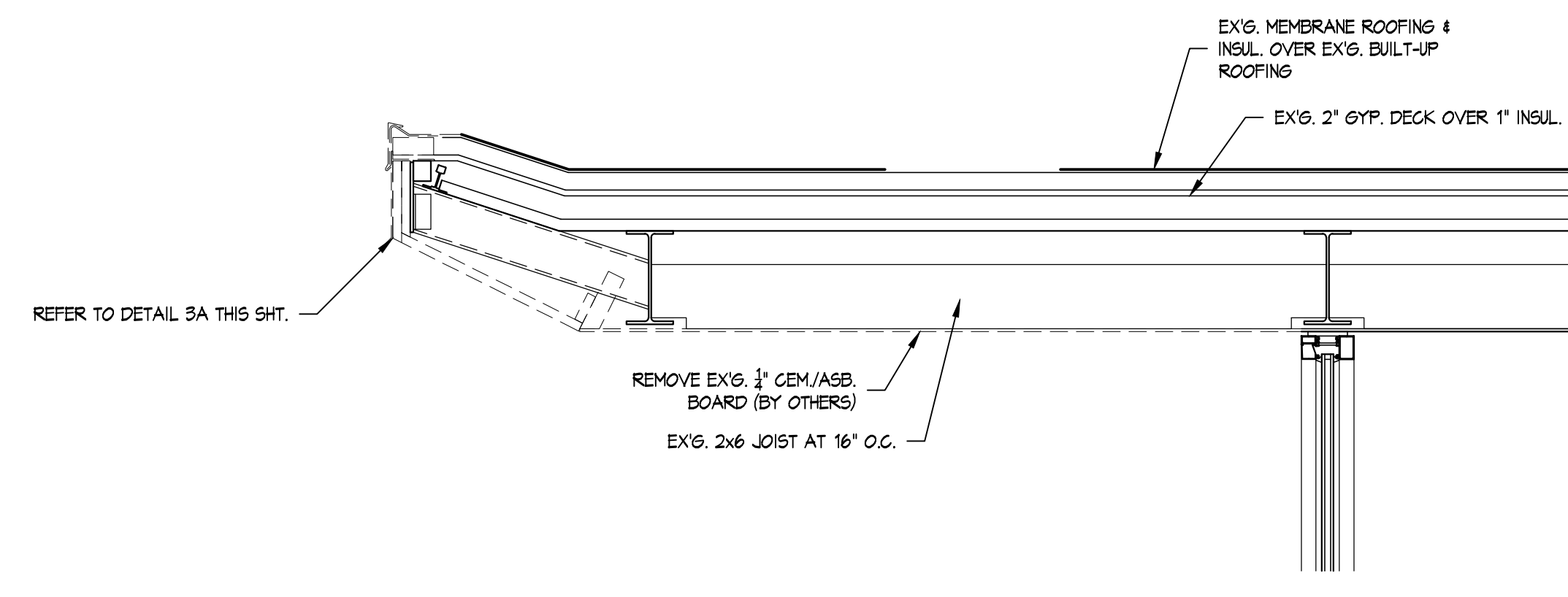
NEW WORK

SOFFIT/FASCIA DETAIL

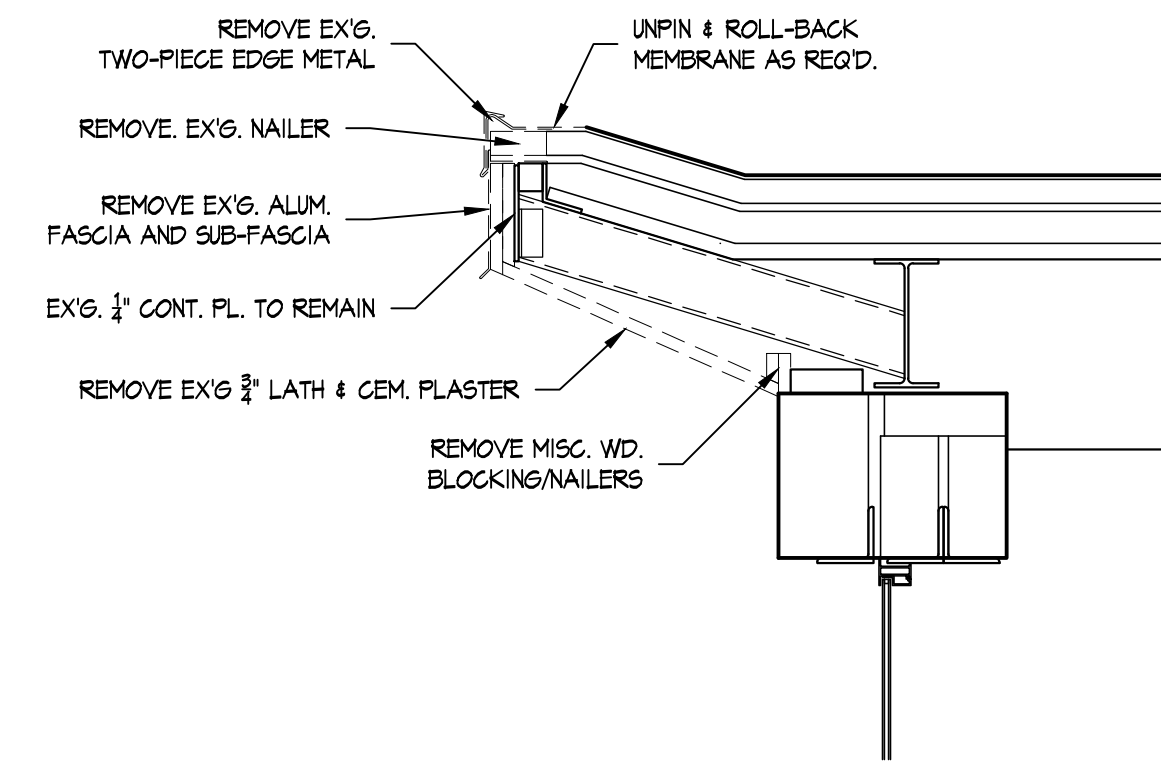
SCALE: 1" = 1'-0"



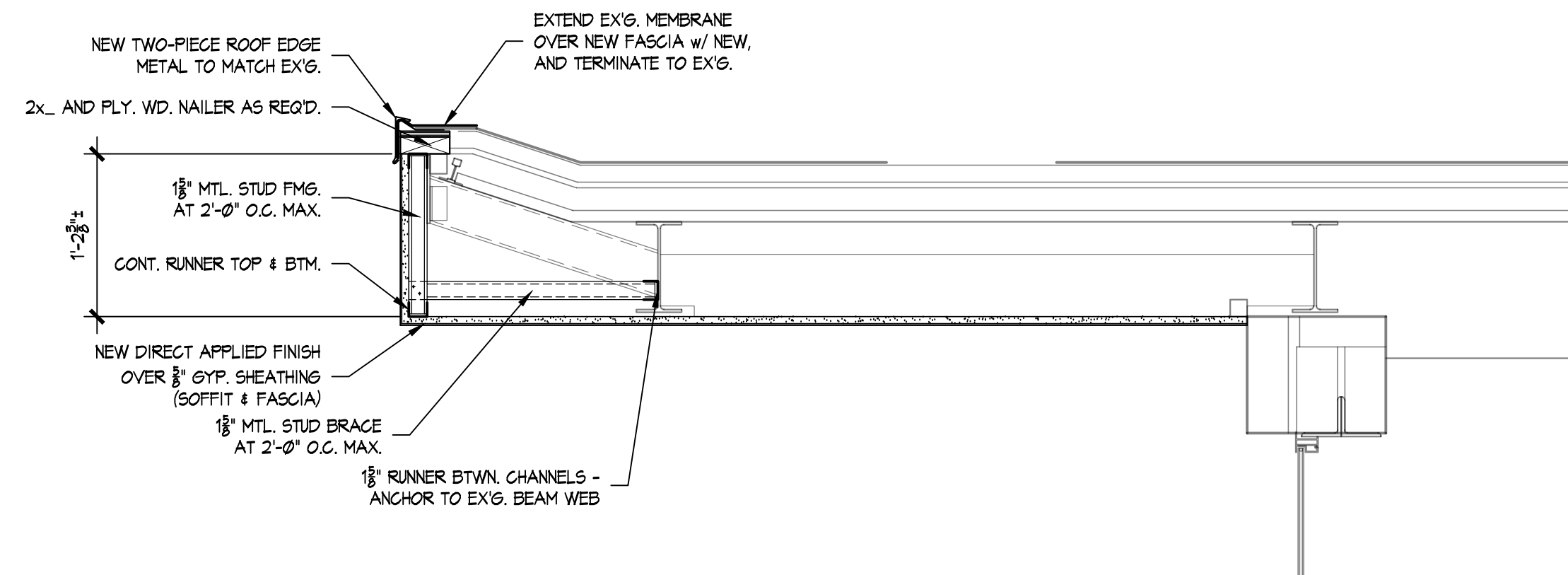
REMOVAL



REMOVAL



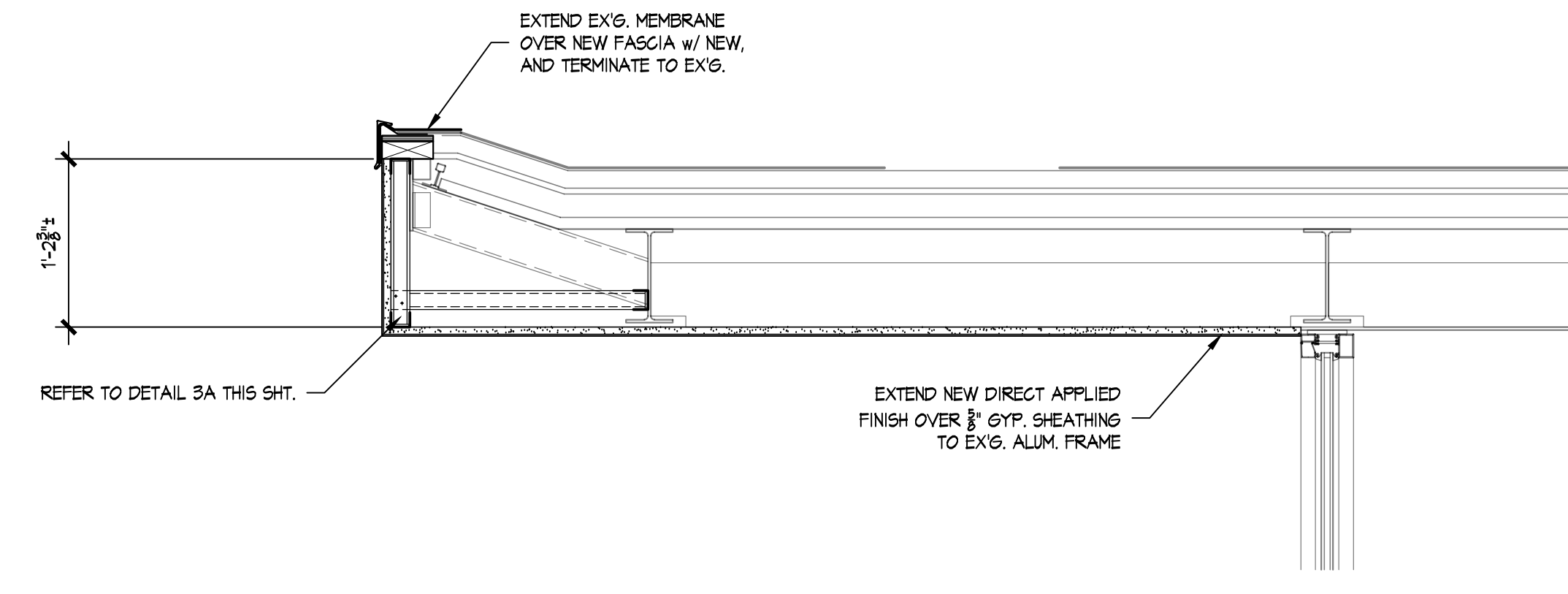
REMOVAL



NEW WORK

SOFFIT/FASCIA DETAIL

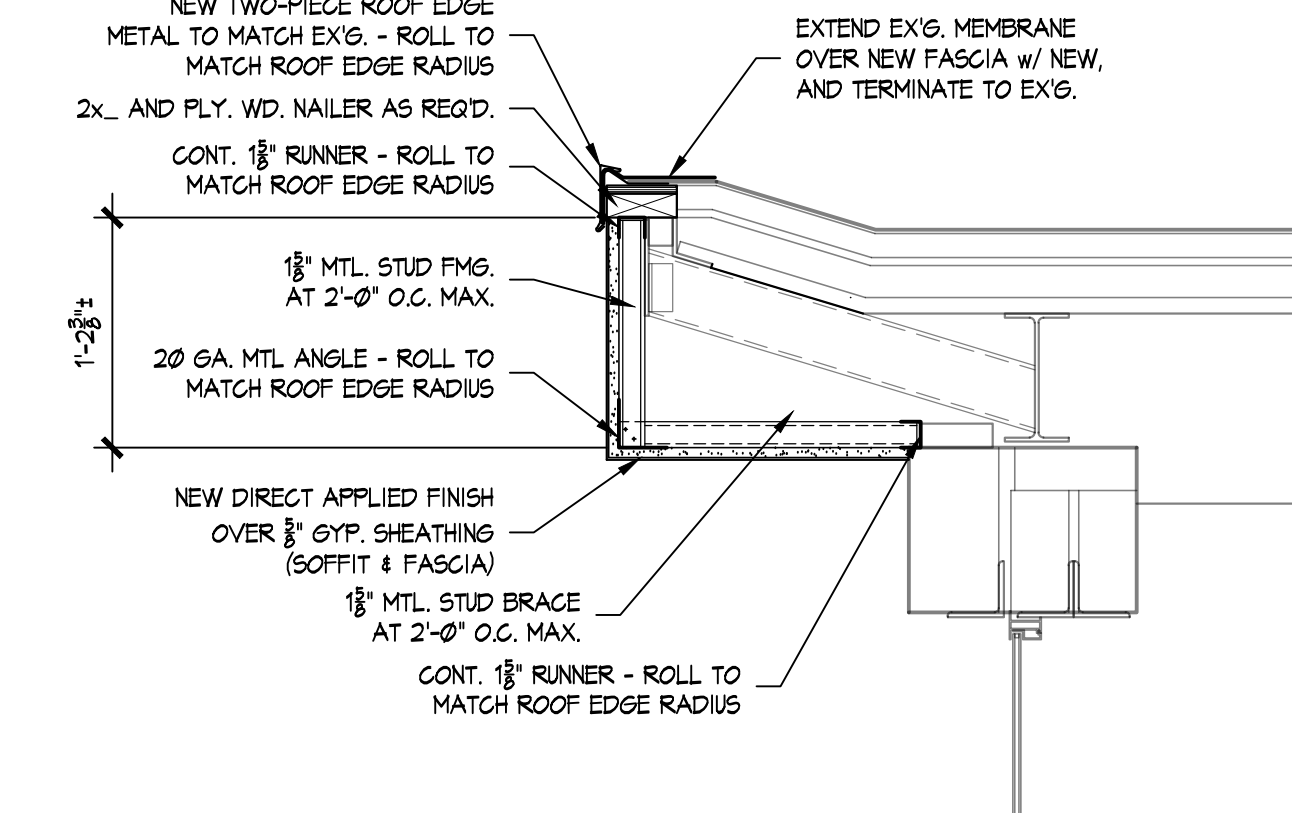
SCALE: 1" = 1'-0"



NEW WORK

SOFFIT/FASCIA DETAIL

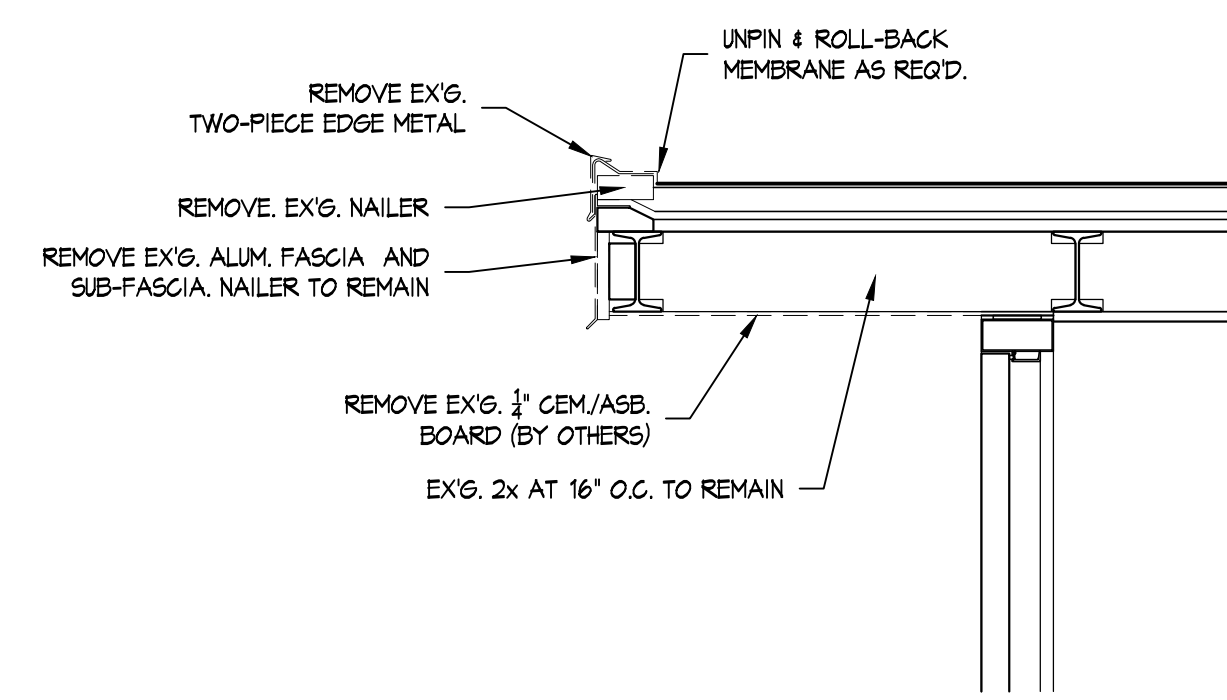
SCALE: 1" = 1'-0"



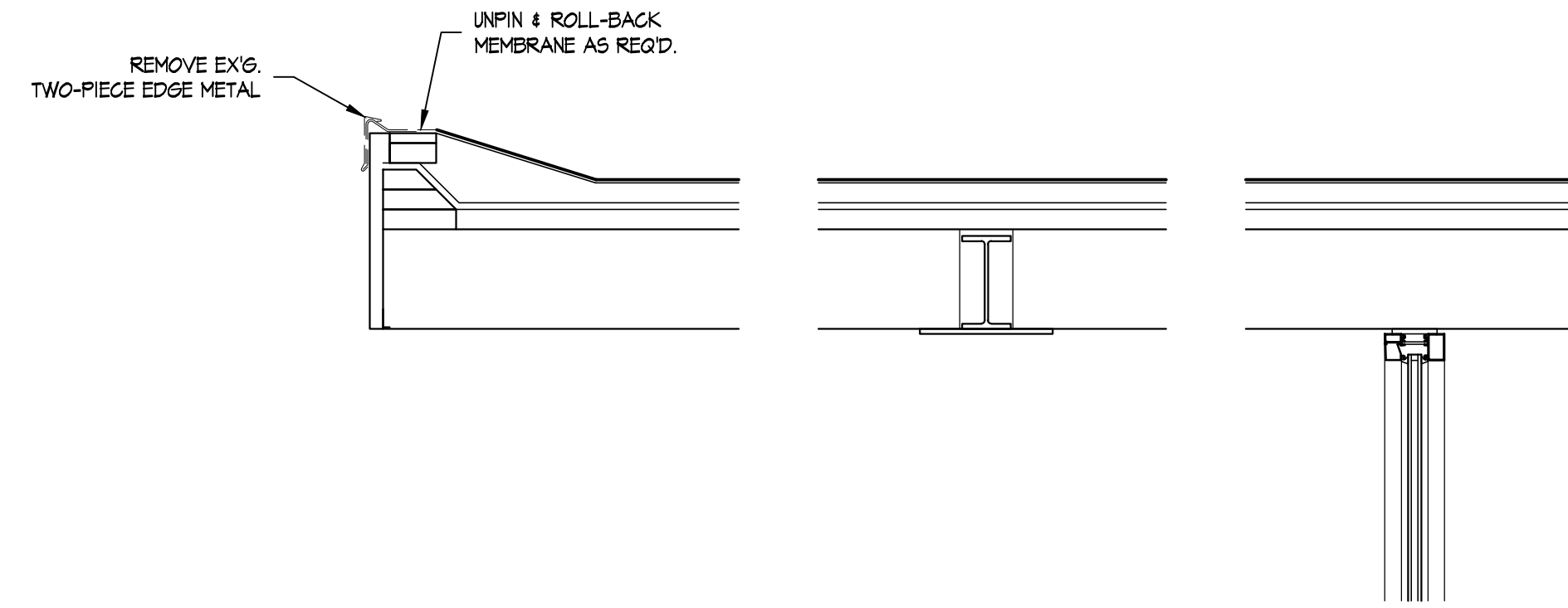
NEW WORK

SOFFIT/FASCIA DETAIL

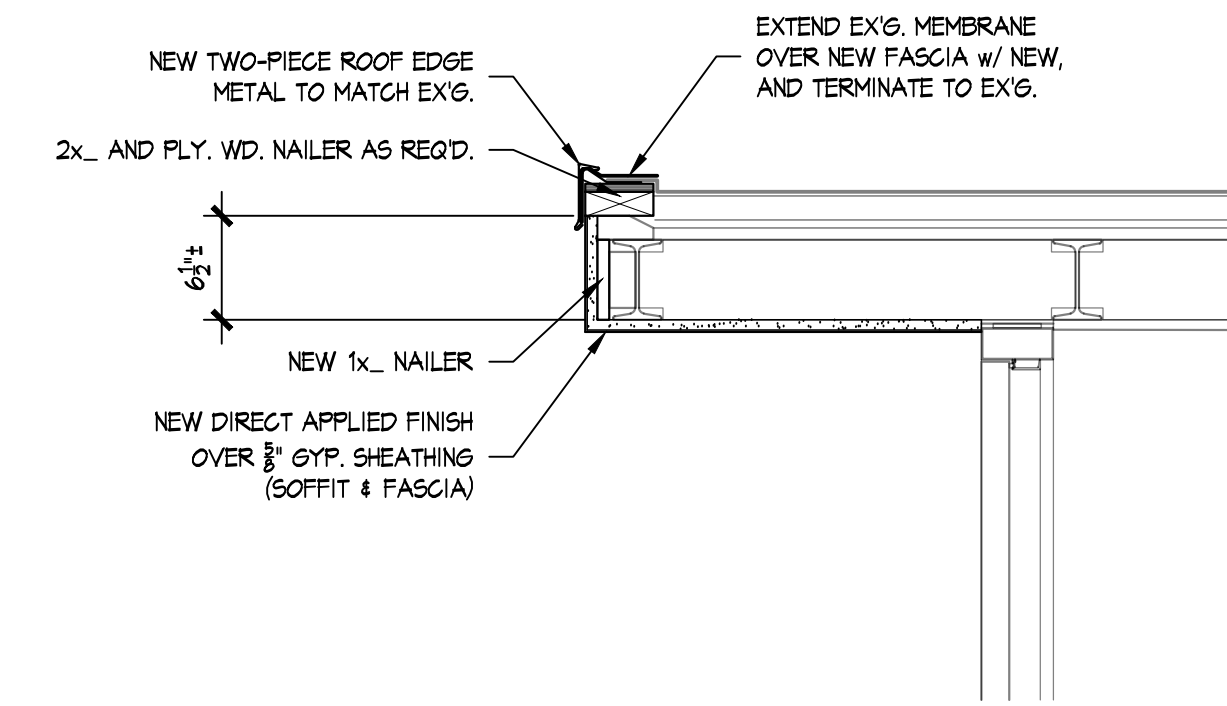
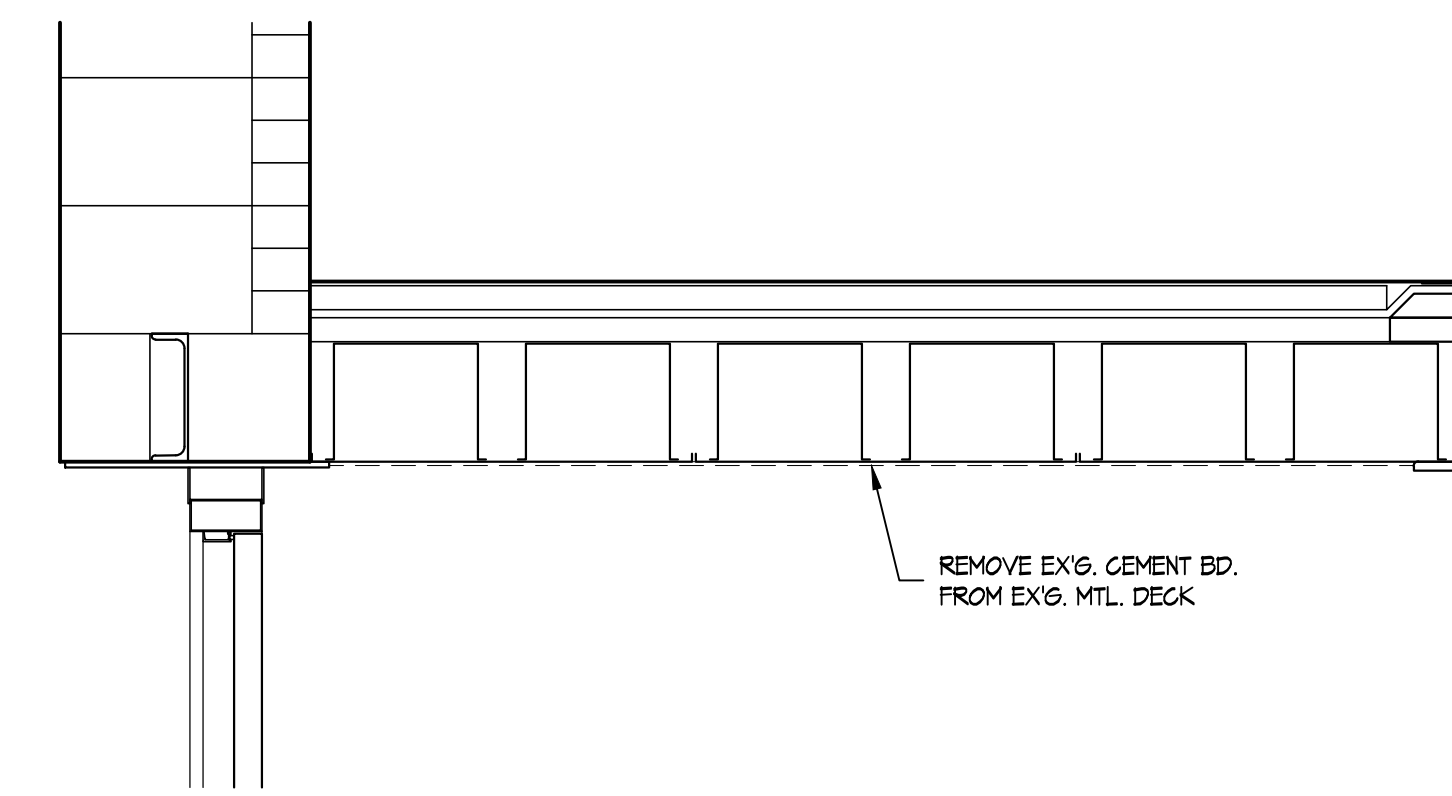
SCALE: 1" = 1'-0"



REMOVAL



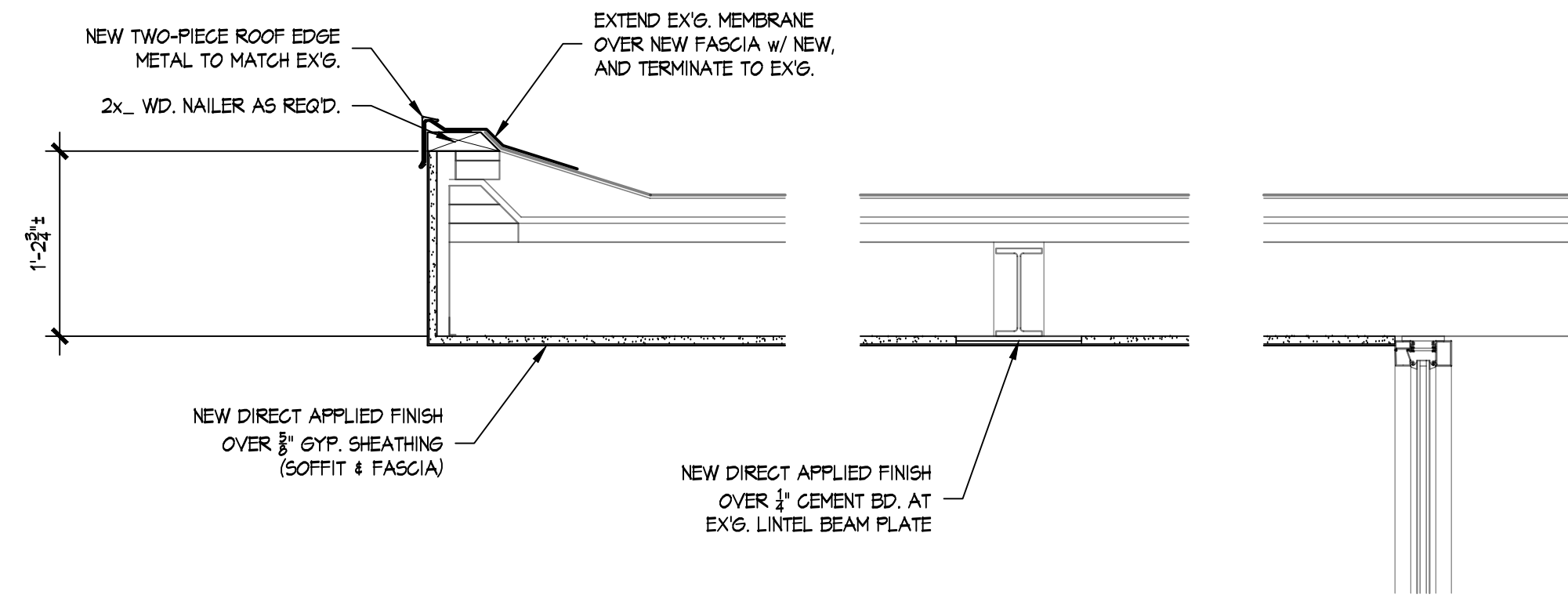
REMOVAL



NEW WORK

SOFFIT/FASCIA DETAIL

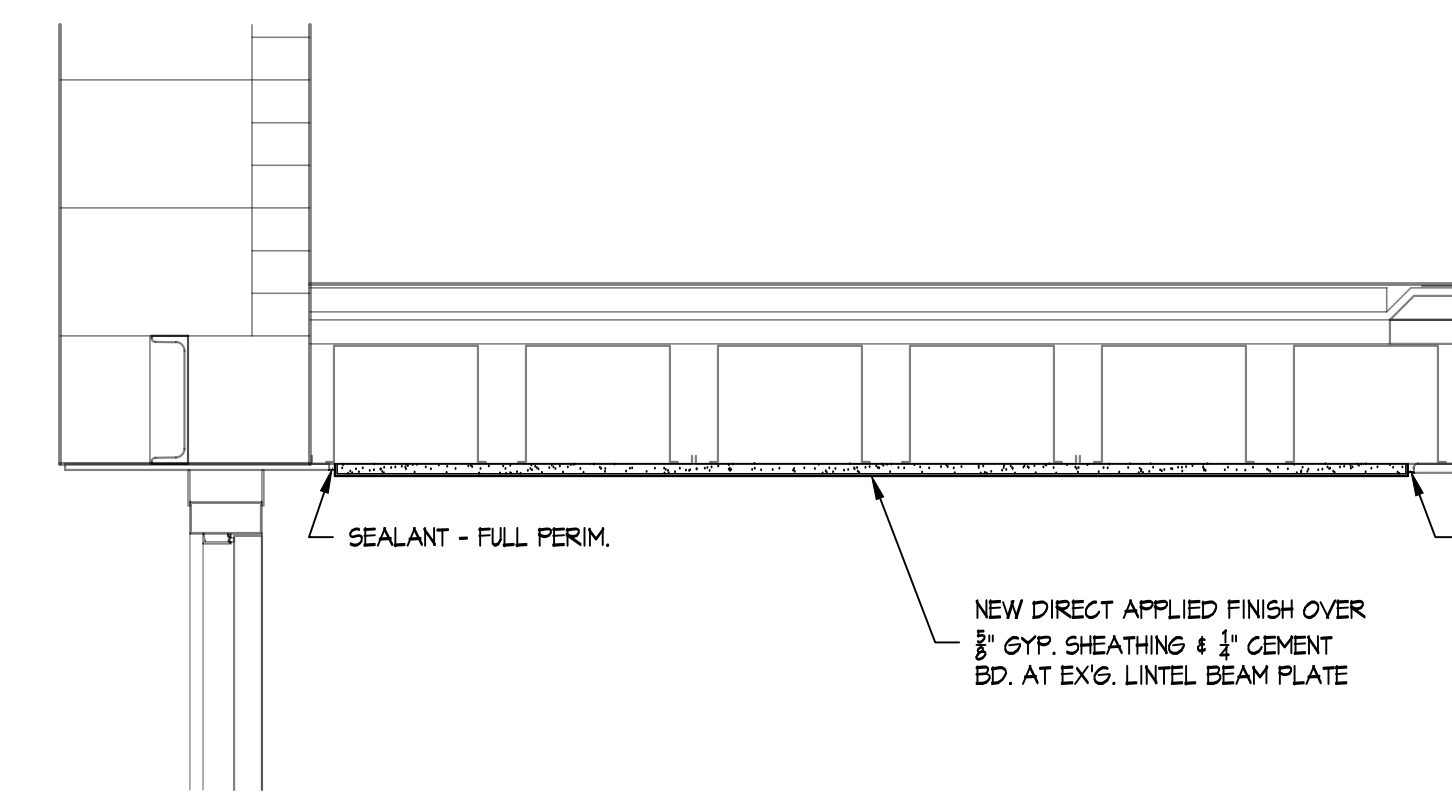
SCALE: 1" = 1'-0"



NEW WORK

SOFFIT/FASCIA DETAIL

SCALE: 1" = 1'-0"



NEW WORK

SOFFIT/FASCIA DETAIL

SCALE: 1" = 1'-0"